

# SN50/60PT

## Three Phase Inverters/5 MPPTS

### Safe & Reliable

IP66 protection & C5 anti-corrosion rating  
Type II SPD, both DC & AC sides  
Built-in arc-fault circuit-interrupter

### High Yield

Built-in PID recovery function  
Compatible with bifacial PV modules  
1.1 times continuous output overload

### High-Performance Management

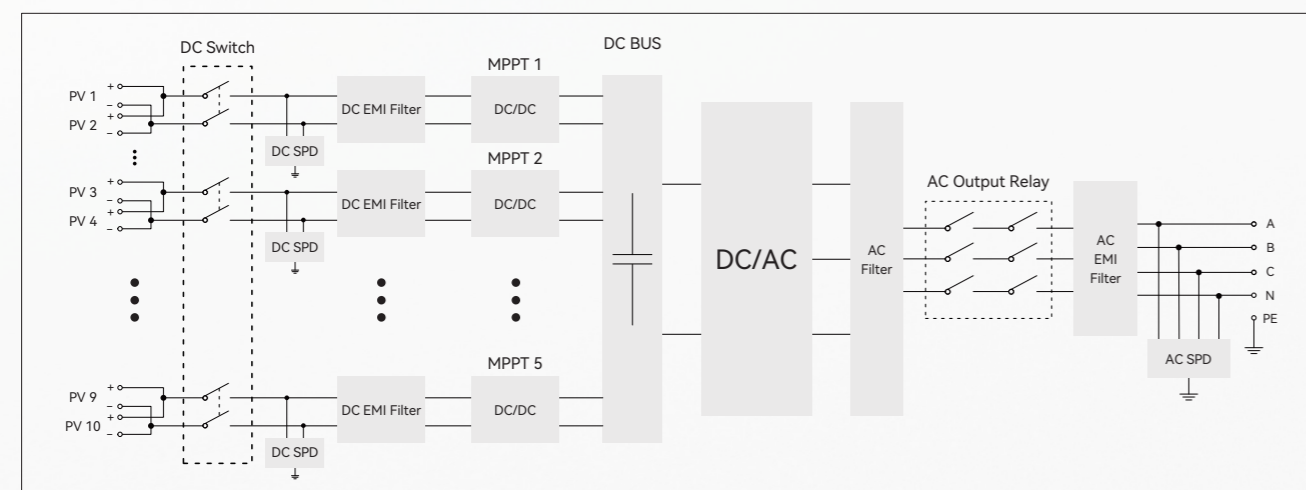
Accurate string current detection  
Smart I/V curve scan  
Local & remote maintenance

### User-Friendly Design

Convenient handle design  
Optional OLED screen  
Quickly set up smart monitoring via APP



## Circuit Diagram



Model	SN50PT	SN60PT
<b>Input (PV)</b>		
Max. PV input voltage/V	1100	
Recommended max. PV power(STC)/Wp	75000	90000
Nominal PV input voltage/V	620	
MPPT operating voltage range/V	200~1000	
Full power MPPT voltage range/V	520~850	
Start up PV voltage/V	250	
Number of PV input	5*2	
Max. current per MPPT/A	32/32/32/32/32	32/32/32/32/40
Max. short circuit current per MPPT/A	50	
DC terminal	Amphenol/MC4	
<b>Output (grid)</b>		
Nominal output power/W	50000	60000
Max. output apparent power/VA	55000	66000
Max. output current/A	79.4	95.7
Nominal grid voltage/V	3/N/PE 230/400	
Grid voltage range/V	320~480 (According to local standards)	
Nominal grid frequency/Hz	50/60	
Power factor range	0.8leading~0.8lagging	
Harmonic (THD)	<3%	
AC terminal	Terminal Block	
<b>Efficiency</b>		
Max. efficiency	98.60%	
EU efficiency	98.30%	
<b>General data</b>		
Display mode	LED, OLED(optional)	
Communication port	RS485, WIFI/4G/Ethernet	
Weight/Kg	50	
Dimensions (W*H*D)/mm	675*590*275	
Max. operating altitude/m	4000(>3000 derating)	
Cooling method	Smart fan cooling	
Humidity	0~100%	
Operating temperature/°C	-25~60	
Protection level	IP66	
Topology	Transformerless	
Self-consuming at night	< 1W	
<b>Protection</b>		
Leakage current protection	Yes	
Anti-island protection	Yes	
DC reverse protection	Yes	
AC short circuit protection	Yes	
PV string current detection	Yes	
PID recovery	Yes	
DC switch	Yes	
Arc-fault circuit-interrupter	Yes	
Surge protection	DC II/AC II	
Insulation monitoring	Yes	
Over-voltage protection	AC III/DC II	

\*Please visit Sineng website for latest certificates.